



Metal Man Gutter Machines



PART NUMBER – 01321P

FEATURES

- Free floating chromed forming rollers
- Mechanical guillotine utilizing double rack and pinion shear
- Exit end reversing drum switch with exit end 15amp, 120 volt weatherproofed double outlet
- Limited 1 year parts warranty

AVAILABLE OPTIONS

- Gutter stands
- Extra reels
- Convenience outlet

SPECIFICATIONS

Length - 183" (15.25')

Width - 30"

Height - 20"

Power:

1.5HP, 110V, 1 Phase TEFC Motor

Dedicated powered polyurethane drive rollers via chains and sprockets.

Shear:

Mechanical guillotine using double rack and pinion system.

Speed:

Approximately 45 feet per minute.

Controls:

Reversing drum switch with entry and exit end emergency stop switches.

Forming:

Factory set free floating chromed forming rollers.

Frame Construction:

Welded tubular steel frame.

Materials Formed:

Up to 24 gauge steel

Up to .040" aluminum

METAL MAN 770 7" SEAMLESS BOX GUTTER MACHINE

Englert, Inc. revolutionizes the gutter machine industry with the 770 Gutter Machine... the most versatile to hit the market in 30 years.

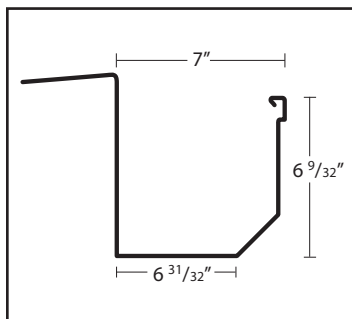
Separate polyurethane drive roller system drives all materials up to 24 gauge steel through the machine with ease. The polyurethane drive rollers are guaranteed for life against separation from the drive hubs under normal operating conditions.

Chromed free floating forming rollers eliminate the excessive pressure of driven forming rollers of yesterday. This allows a much wider variety of materials to be run through the machine, with little or no adjustments, making the 770 Gutter Machine the most advanced and versatile machine on the market.

Double rack and pinion shear and hardened tool steel cutting dies ensure long life and easy cutting of all materials up to 24 gauge steel.

Transporting the new, high tech 770 Gutter Machine saves on coil too! Especially in comparison to yesterday's gutter rollformer technology. Material need not be loaded and left in the machine to prevent damage and misalignment, when moving from job to job, which means less wasted material and more profit.

Adjustable Flange Back Profile



Straight Back Profile

